

6

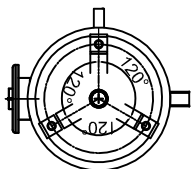
5

4

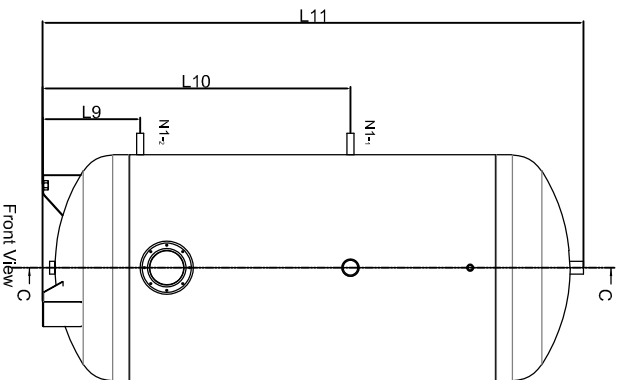
3

2

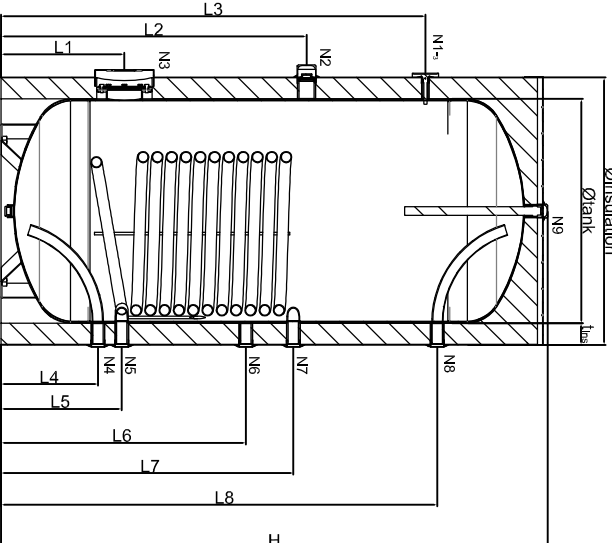
1



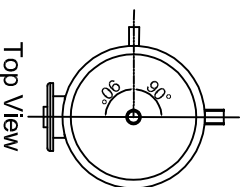
Bottom View



Front View



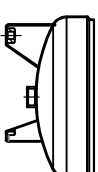
C-C



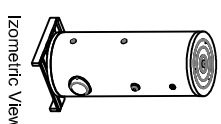
Top View

REV. NO	REV.	TANIM-DESCRIPTION	TARİH- DATE	OMAY-APPROVED BY
01	A	Dimensions are updated. Weights and heat exchanger surface area information are added.	03.02.2020	

## REVIZYONLAR-REVISIONS



Three-legged for 100-500 L.



Isometric View

N CODE	DESCRIPTION	CONNECTIONS				
		100	160	200	300	500
N1-1	Thermometer and Sensor Connections	1/2"	1/2"	1/2"	1/2"	1/2"
N1-2	Thermometer and Sensor Connections	1/2"	1/2"	1/2"	1/2"	1/2"
N1-3	Thermometer and Sensor Connections	1/2"	1/2"	1/2"	1/2"	1/2"
N2	Electric Heater Connection	1 1/2"	1 1/2"	1 1/2"	1 1/2"	1 1/2"
N3	Cleaning & Control Flange	4"	4"	4"	4"	4"
N4	Domestic Cold Water Inlet Connection	3/4"	3/4"	3/4"	1"	1"
N5	Serpentine Outlet Connection	1"	1 1/4"	1 1/4"	1 1/4"	1 1/4"
N6	Retrification Connection	3/4"	3/4"	3/4"	1"	1"
N7	Serpentine Inlet Connection	1"	1 1/4"	1 1/4"	1 1/4"	1 1/4"
N8	Domestic Hot Water Outlet Connection	3/4"	3/4"	3/4"	1"	1"
N9	Magnesium Anode Connections	1 1/2"	1 1/2"	1 1/2"	1 1/2"	1 1/2"
N10	Drain Connection	1 1/2"	1 1/2"	1 1/2"	1 1/2"	1 1/2"

## SINGLE SERPENTINE WATER HEATER DIMENSIONS

ØDrank (Insulation) Type (mm)	L1											H	subject of H (m <sup>2</sup> )	NET WEIGHT (kg)	
	L2	L3	L4	L5	L6	L7	L8	L9	L10	L11					
100 Ø380	50	325	770	905	230	310	440	710	905	230	770	1095	1110	0.62	46
160 Ø480	50	330	800	910	240	330	450	750	910	240	800	1110	1135	0.93	71
200 Ø480	50	330	940	1100	240	330	520	880	1110	240	940	1315	1340	1.33	86
300 Ø600	50	335	805	965	245	335	545	755	965	245	805	1195	1220	1.13	91
500 Ø640	50	380	1080	1555	290	380	780	1090	1555	290	1080	1820	1845	2.13	149

Genel Toleranslar - General Tolerances		AÇIKLAMA- DESCRIPTION		Çizim-Drawn By		Tolerans-Tolerance		Genel Tolerans Tolerance Table	
Uzunluk Ölçüleri- Linear Dimensions	±10	SINGLE SERPENTINE WATER HEATER 100-500 L		I. KARAKOÇ					
1 up to 400	±15	dİçek- Scale		Y.Tarih-Date					
400 up to 1000	±20	A4		16.11.2019					
1000 up to 5000	±20	K8S		Referans Doküman No-Reference Document No					
		K8S							

**KODSAN**

BU RESİMİN BÖTÖM HAKKLARI KODSAN A.Ş. AİTTİR. TAKLİT EDİLEMİR. İZİNSİZ ÇEŞAL TILANMAZ. RESİM ÜZERİNDEN DİÇÜ ALMAYINIZ. ALL RIGHTS OF THE DRAWING BELONG TO THE KODSAN WATER HEATER CONSTRUCTION IND. TRADE INC. CANNOT BE COPIED WITHOUT PERMISSION

6

5

4

3

2

1